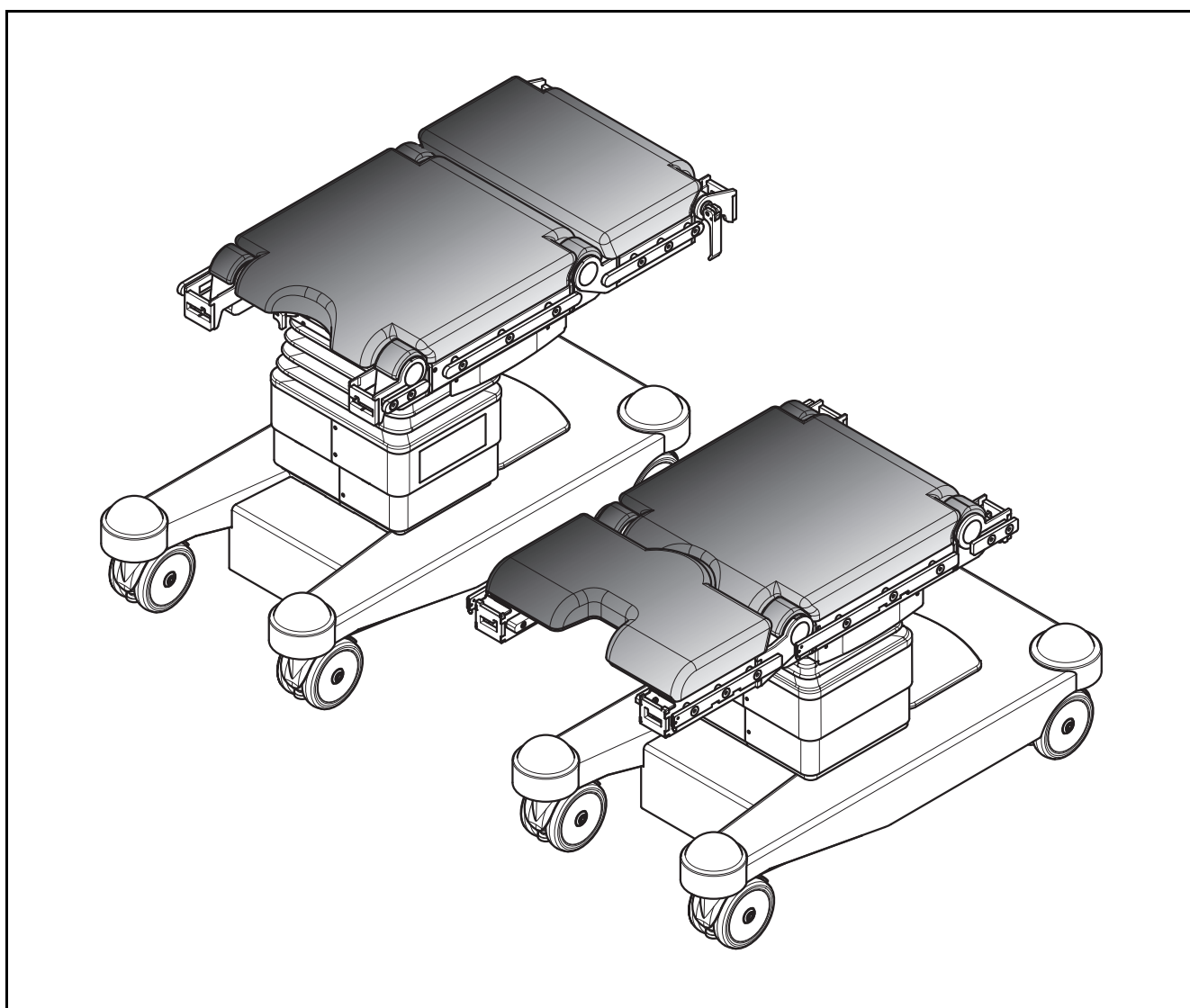



MARS 2 Operating Table

Spare parts catalogue



This is a medical product of class I according to Appendix IX of the Medical Product Directive (MDD) 93/42/EEC of 14 June 1993.

The manufacturer declares the satisfaction of the essential requirements indicated in Appendix I, MDD, as well as the performance of a conformity evaluation procedure required for class I products according to Appendix VII, MDD. This is documented by the CE mark 

TRUMPF Medizin Systeme GmbH
Postfach 24 44
07310 Saalfeld
Germany

TRUMPF Medizin Systeme GmbH
Carl-Zeiss-Straße 5
07318 Saalfeld
Germany

Distribution Telephone +49 3671 586-472
Fax +49 3671 586-487

Technical Customer Service Telephone +49 3671 586-172
+49 3671 586-176
Fax +49 3671 586-175

We are constantly developing our products.

We therefore reserve the right to make changes to the scope of the delivery with respect to the format, equipment and technology at any time.

Reprinting, copying or translating this document, in whole or in part, is forbidden without the express written permission of TRUMPF Medizin Systeme GmbH.

All rights under the copyright laws are expressly reserved by TRUMPF Medizin Systeme GmbH.

Within the bounds of the legal requirements, the manufacturer is only then responsible for the technical safety characteristics of this apparatus if the maintenance, repairs and modifications to this apparatus are performed by him or by someone appointed by him and in accordance with his instructions.



This spare parts catalogue applies to the following sales units:

Description	Mat. no.
MARS 2.01 operating table	1 380 094
MARS 2.01 115 operating table	1 502 693
MARS 2.01 M operating table	1 429 728
MARS 2.01 T operating table	1 429 737
MARS 2.01 T 115 operating table	1 502 720
MARS 2.02 operating table	1 380 095
MARS 2.02 115 operating table	1 502 694
MARS 2.02 M operating table	1 429 729
MARS 2.02 T operating table	1 429 739
MARS 2.02 T 115 operating table	1 502 721
MARS 2.03 operating table	1 380 096
MARS 2.03 115 operating table	1 502 695
MARS 2.03 M operating table	1 429 730
MARS 2.03 T operating table	1 429 740
MARS 2.03 T 115 operating table	1 502 722
MARS 2.04 operating table	1 380 097
MARS 2.04 115 operating table	1 502 696
MARS 2.04 M operating table	1 429 731
MARS 2.04 T operating table	1 429 741
MARS 2.04 T 115 operating table	1 502 726
MARS 2.05 operating table	1 380 198
MARS 2.05 115 operating table	1 502 697
MARS 2.05 M operating table	1 429 732
MARS 2.05 T operating table	1 429 742
MARS 2.05 T 115 operating table	1 502 727
MARS 2.06 operating table	1 380 199
MARS 2.06 115 operating table	1 502 698
MARS 2.06 M operating table	1 429 736
MARS 2.06 T operating table	1 429 733
MARS 2.06 T 115 operating table	1 502 728
MARS 2.07 operating table	1 380 200
MARS 2.07 115 operating table	1 502 699

Description	Mat. no.
MARS 2.07 M operating table	1 421 057
MARS 2.07 T operating table	1 429 734
MARS 2.07 T 115 operating table	1 502 729
MARS 2.08 operating table	1 380 201
MARS 2.08 T operating table	1 429 735



Contents

1	Important Information	3
1.1	General information	3
1.2	Liability	3
1.3	Protection against infection	3
1.4	Scrap Disposal	4
1.5	Glossary	4
2	Spare part ordering	5
3	Tabletop	7
3.1	Resting surface	8
3.2	Bar SP with BP/RP joint MARS 2.01	10
3.3	Bar SP with BP/RP joint MARS 2.02 - 2.08	12
3.4	Bar RP/SPV with joint	14
3.5	Tabletop, MARS 2.01	16
3.6	Tabletop, MARS 2.02 - 2.08	18
4	Column	23
4.1	Cover	24
4.2	Column (foot end)	26
4.3	Column (head end)	28
5	Running gear	31
5.1	MARS 2.01/2.02	32
5.2	MARS 2.03/2.05/2.07/2.08	36
5.3	MARS 2.04/2.06	40
6	Remote control	45



1 Important Information

1.1 General information

Repairs may be performed only by service technicians from TRUMPF Medizin Systeme GmbH or by personnel authorised, trained, and certified by TRUMPF.

Use only original spare parts that are designated by TRUMPF Medizin Systeme GmbH as spare parts. Replace defective parts that you suspect may not be in proper working order with original spare parts, even if it is beyond the scope of the repair order.

Hand over the table to the customer only if it has been tested and is fully functional. Hand-over to the customer must be effected in writing with confirmation from the customer. Functionality must be demonstrated to the customer.

Proper use of and instructions on how to operate the operating table can be found in the instruction manual.

1.2 Liability

TRUMPF Medizin Systeme GmbH **IS LIABLE ONLY** for reliable and proper functionality of the operating table **-IF**

- assembly, modification and repairs are performed by TRUMPF service technicians or personnel authorised by TRUMPF.
- the electrical installation of the object in question corresponds to the regulations in force at the time.
- the operating table is used properly in accordance with the instruction manual.

1.3 Protection against infection

- **Danger of infection throughout the hospital! All safety measures, safety guidelines and hygiene requirements must be observed. Follow the requirements of the medical facility for protecting against infection.**
- Perform maintenance and repair work on disinfected operating tables only. Disinfection is performed by the medical facility.
- Perform work in the OR area only with appropriate authorisation.
- If you experience any discomfort, see a doctor immediately. Inform the doctor of your activities after working in hazardous areas - even after several months.

Prevention

- Inform your doctor of possible hazards and discuss how to avoid them in your work as a service technician.
- Have your doctor vaccinate you against Hepatitis B. A booster shot is required every 3 to 5 years. The incubation period for Hepatitis B is 1 to 6 months.

Important Information

1.4 Scrap Disposal

The operating table, accessories and packaging must be recycled in an environmentally friendly fashion.

Disposal, including that of individual parts, must be environmentally friendly, i.e., in accordance with the legal regulations currently in force.

For information on properly disposing of old equipment, please contact either TRUMPF Technical Customer Service, your local sales representative or the appropriate national bureau.

TRUMPF Medizin Systeme GmbH will take back your old equipment or products that are defective or no longer used. Please contact Technical Customer Service in Saalfeld for more information.

Please return any unusable rechargeable batteries to TRUMPF or your local sales representative for environmentally appropriate disposal.

1.5 Glossary

The following terms and abbreviations are used in this spare parts catalogue:

RP	Back section
URP	Lower back section
SPV	Seat section extension
SP	Seat section
BP	Leg section
FW	Running gear
LP	Circuit board



2 Spare part ordering

When ordering spare parts, please specify the serial and order numbers according to the model plate and send to:

TRUMPF Medizin Systeme GmbH
Carl-Zeiss-Straße 5
07318 Saalfeld
Germany

Telephone +49 3671 586-472

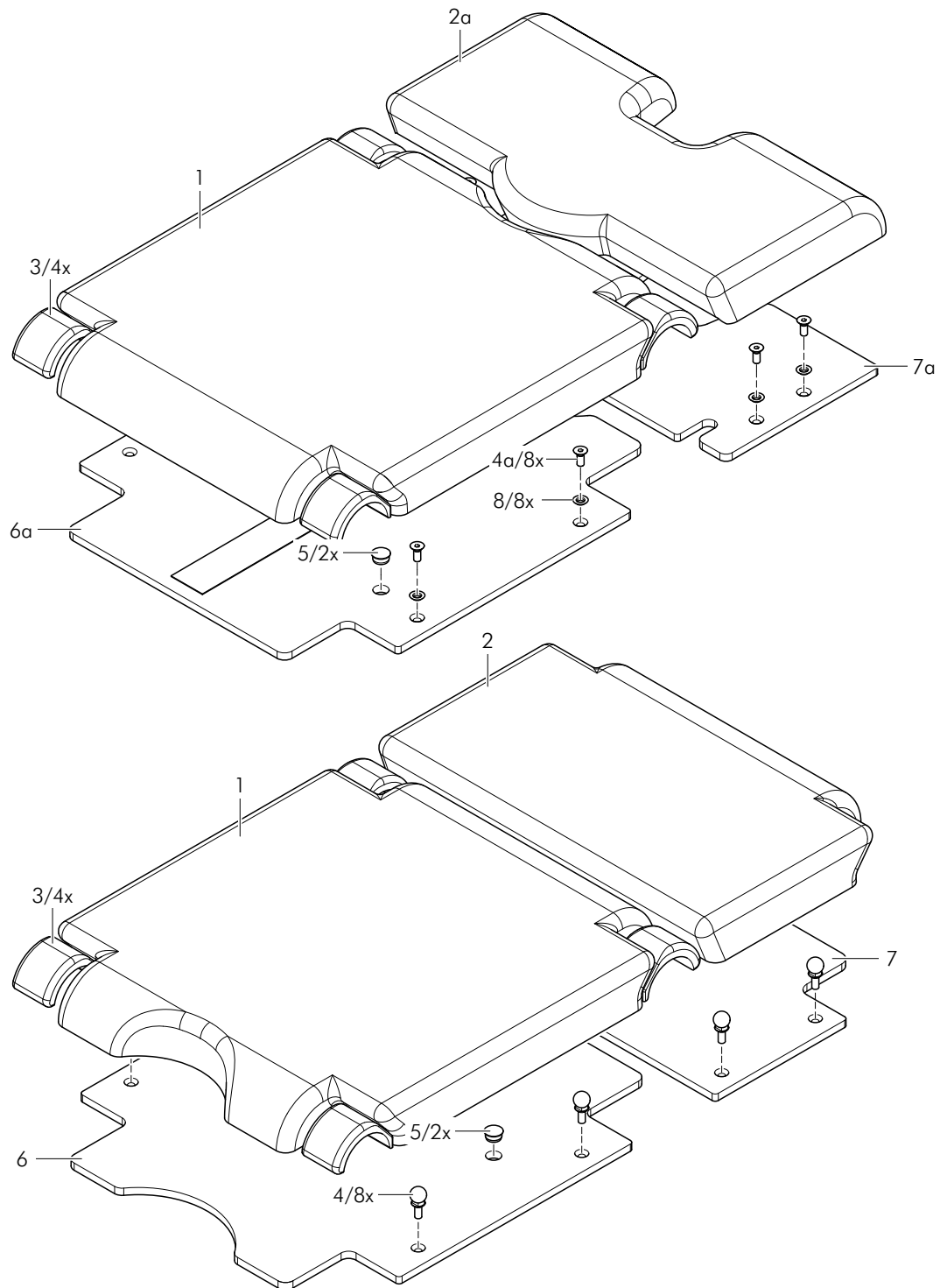
Fax +49 3671 586-487

E-mail sparepart@de.trumpf-med.com



3 Tabletop

Tabletop



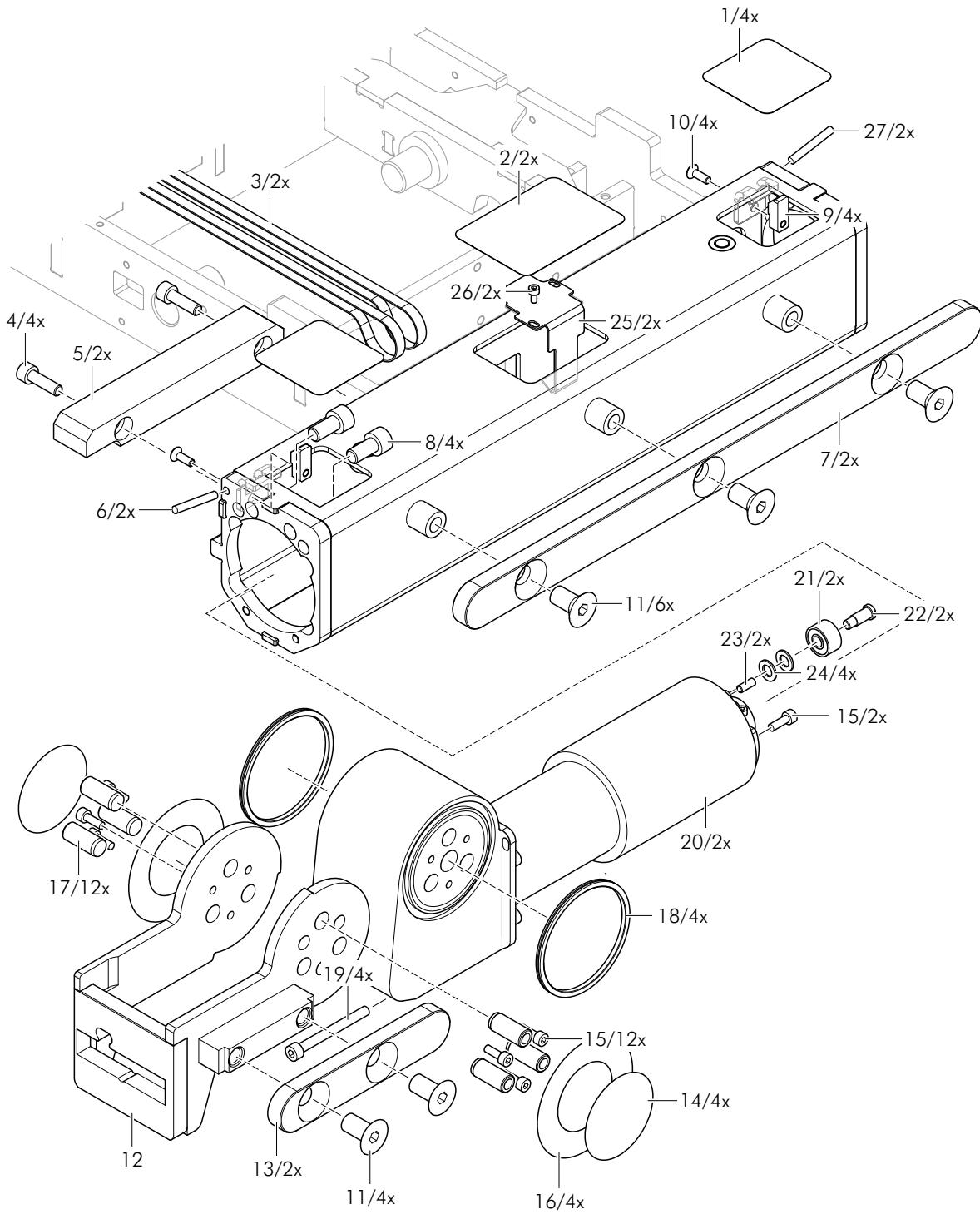


Item	Description	Mat. no.	ET
1	Pad SP MARS II (MARS 2.01-2.07)	1382894	
	Pad SP MARS II M (MARS 2.01 M - 2.07 M)	1430004	
	Pad SP MARS II T (MARS 2.01 T - 2.07 T, MARS 2.08 T)	1426163	
	Pad SP MARS II US (MARS 2.8)	1417777	
2	Pad RP MARS II (MARS 2.01-2.06)	1384580	
	Pad URP JUPITER M (MARS 2.01 M - 2.06 M)	1389819	
	Pad URP JUPITER T (MARS 2.01 T - 2.06 T)	1397770	
2a	Pad SPV TITAN CP (MARS 2.07)	1267582	
	Pad SPV TITAN M (MARS 2.07 M)	1420315	
	Pad SPV TITAN T (MARS 2.07 T, MARS 2.08 T)	1424319	
	Pad SPV US (MARS 2.08)	1267577	
3	Cover pad JUPITER	1296686	
4	Pad seating bolt (MARS 2.01-2.07)	4220119	
4a	Screw ULF M8x20-A2 *1	4081144	
5	Plug	4144920	
6	Plate SP MARS II (MARS 2.01-2.07) *2	1396290	
6a	Pad plate SP MARS II US (MARS 2.08) *2	1418318	
7	Plate RP MARS II Joint (MARS 2.01-2.06) *2	1396291	
7a	Plate SPV MARS II US *3 (MARS 2.07) *2	1416012	
	Pad plate SPV MARS II US (MARS 2.08) *2	1418354	
8	Tapered sleeve *1	4200134	

*1 only for all M and T pad variants, as well as MARS 2.08

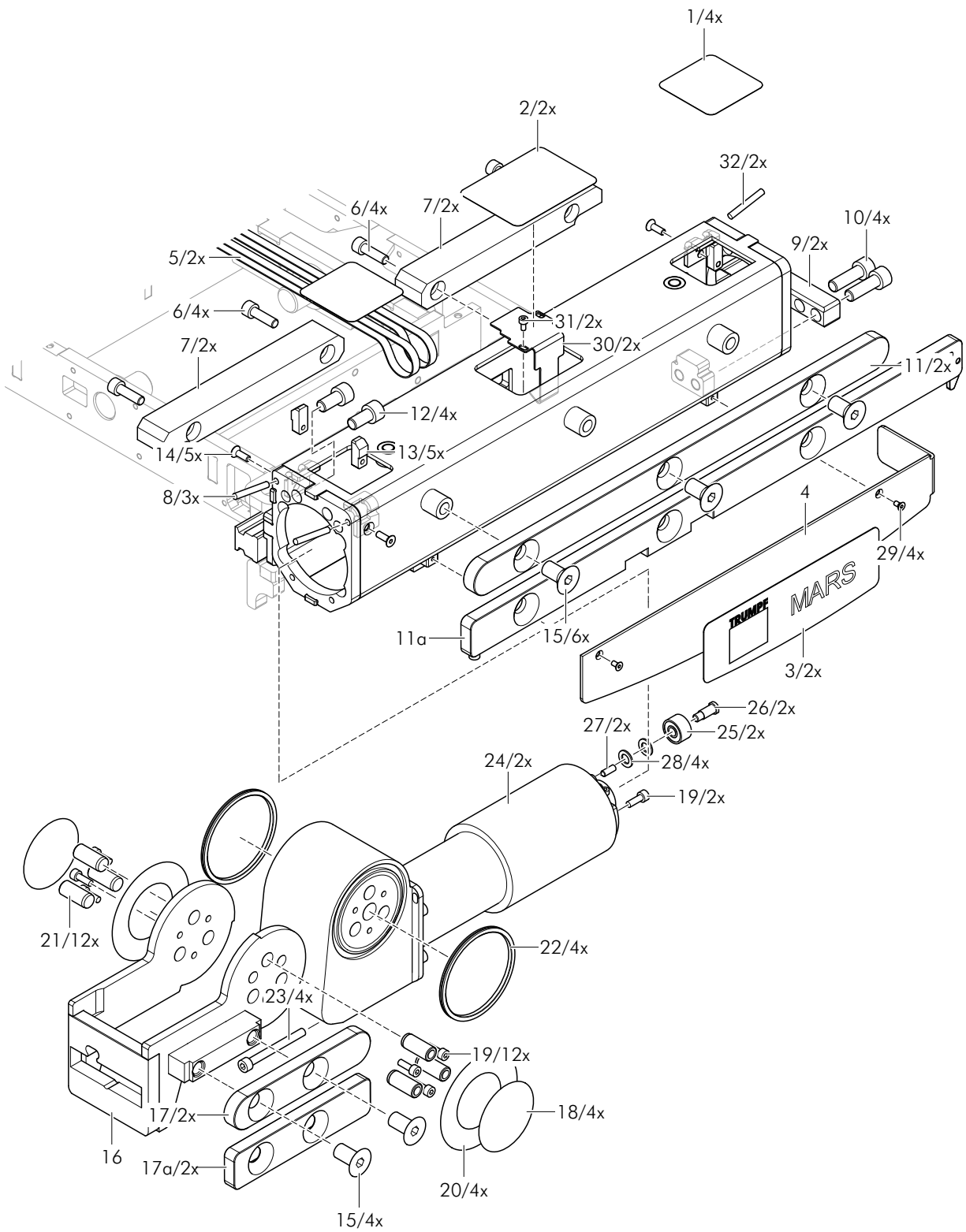
*2 all pad variants and 115 Version

*3 not shown in the graphic





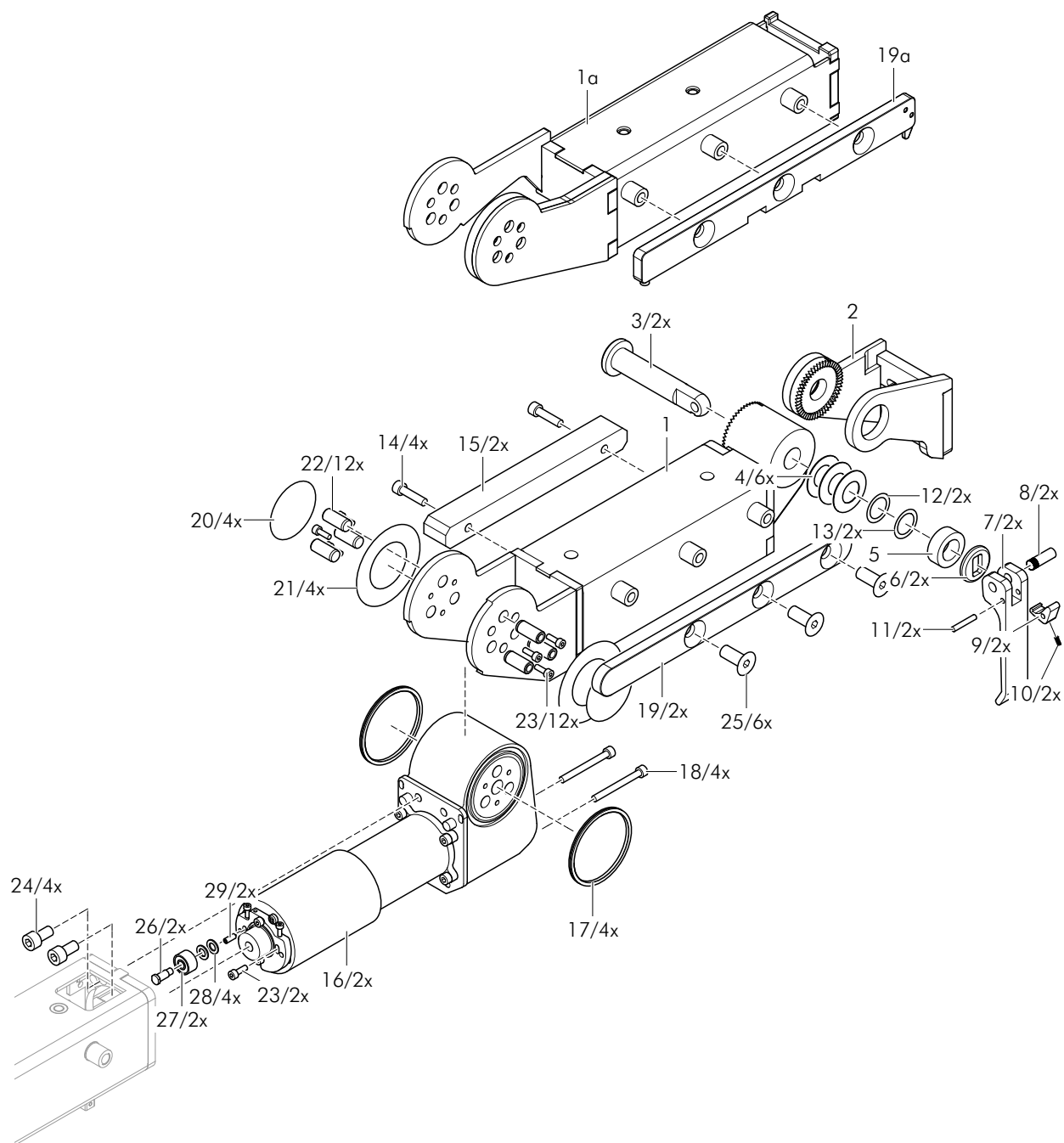
Item	Description	Mat. no.	ET
1	Cover for Bar outlet	1437143	
2	Cover for Bar outlet Center	1437144	
3	Drive belt, Synchroflex GEN III	1381543	
4	Screw ISO 4762-M6x20-A2-70	0342750	
5	Cassette rail SP FTP	1405961	
6	Namur Sensor LV TP OCX	1325498	
7	Standard rail SP	1395393	
8	Screw ISO 4762-M8x16-A2-70	0127599	
9	Clamping block for Sensor	1441501	
10	Screw ISO 10642-M4x12-A2-70	0109783	
11	Screw ISO 10642-M10x20-A2-70	1215427	
12	Joint BP Pair (welded assembly)	1390691	
13	Standard rail Joint	1295910	
14	Cover foil MARS II	1395374	
15	Screw ISO 4762-M4x12-A2-70	0751667	
16	Sliding disc	4220026	
17	Cylindrical pin ISO 8735-10m6x24-A1	4083208	
18	Spring supp. Lip seal UAA-B60.0-332-1-C	4144985	
19	Screw ISO 4762-M5x50-A2-70	0143493	
20	Drive unit	1390050	
21	Angular ball bearing 30/6 2Z	1381732	
22	Screw	1395537	
23	Threaded pin ISO 4027-M4x12-A2-70	4083030	
24	Disc for Laser section	4212428	
25	Plate, Bumper	1395376	
26	Screw ISO 4762-M3x6-A2-70	0751650	
27	Namur Sensor 270 mm	1404780	



Item	Description	Mat. no.	ET
1	Cover for Bar outlet	1437143	
2	Cover for Bar outlet Center	1437144	
3	Pictogram MARS II	1414754	
4	Plate for Aperture Pair (MARS 2.05, 2.06) * ¹	1400605	
	Plate for Faceplate (welded assembly) * ² (MARS 2.02-2.04) * ¹	1437752	
	Plate for Faceplate * ² (MARS 2.07, 2.08) * ¹	1453297	
5	Drive belt, Synchroflex GEN III	1381543	
6	Screw ISO 4762-M6x20-A2-70	0342750	
7	Cassette rail SP	1395389	
8	Namur Sensor LV TP OCX	1325498	
9	End stop, rear (MARS 2.02-2.06) * ¹	1395375	
	End stop, rear * ² (MARS 2.07, 2.08) * ¹	1453296	
10	Screw ISO 4762-M8x25-A2-70	0144347	
11	Standard rail SP (MARS 2.02-2.07) * ¹	1395393	
11a	Standard rail SP US complete Pair (MARS 2.08) * ¹	1454032	
12	Screw ISO 4762-M8x16-A2-70	0127599	
13	Clamping block for Sensor	1441501	
14	Screw ISO 10642-M4x12-A2-70	0109783	
15	Screw ISO 10642-M10x20-A2-70	1215427	
16	Joint BP Pair (welded assembly) (MARS 2.02-2.06) * ¹	1390691	
	Joint BP Pair (welded assembly) USA * ² (MARS 2.07, 2.08) * ¹	1453294	
17	Standard rail Joint (MARS 2.02-2.07) * ¹	1295910	
17a	Standard rail Joint (MARS 2.08) * ¹	1295907	
18	Cover foil MARS II	1395374	
19	Screw ISO 4762-M4x12-A2-70	0751667	
20	Sliding disc	4220026	
21	Cylindrical pin ISO 8735-10m6x24-A1	4083208	
22	Spring supp. Lip seal UAA-B60.0-332-1-C	4144985	
23	Screw ISO 4762-M5x50-A2-70	0143493	
24	Drive unit	1390050	
25	Angular ball bearing 30/6 2Z	1381732	
26	Screw	1395537	
27	Threaded pin ISO 4027-M4x12-A2-70	4083030	
28	Disc for Laser section	4212428	
29	Screw ISO 7046-M3x6-A2-70	0755184	
30	Plate, Bumper	1395376	
31	Screw ISO 4762-M3x6-A2-70	0751650	
32	Namur Sensor 270 mm	1404780	

*¹ all pad variants and 115 Version

*² not shown in the graphic

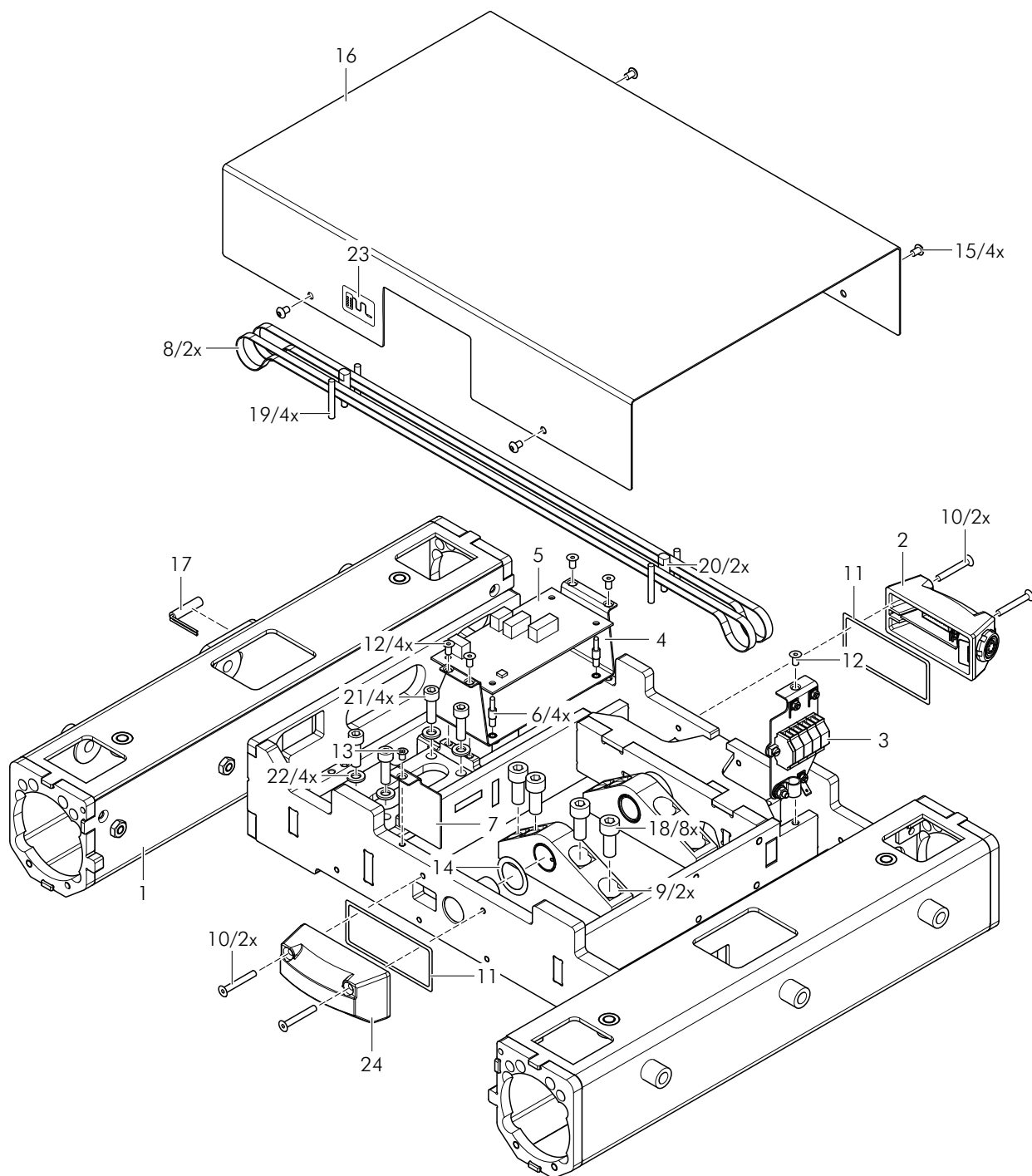




Item	Description	Mat. no.	ET
1	Bar RP Joint (welded assembly) Pair (MARS 2.01-2.06) *1	1387520	
1a	Bar SPV US (welded assembly) Pair (MARS 2.07, 2.08) *1	1415624	
2	Joint RP (welded assembly) Pair (MARS 2.01-2.06) *1	1387536	
3	Tension bolt (MARS 2.01-2.06) *1	1241116	
4	Disc spring De35.5 Di18.3 t0.8 A2 (MARS 2.01-2.06) *1	4121096	
5	Pressure sleeve (bar, left) (MARS 2.01-2.06) *1	1241117	
	Pressure sleeve (bar, right) *2 (MARS 2.01-2.06) *1	1241118	
6	Pressure plate (MARS 2.01-2.06) *1	4220147	
7	Eccentric lever (MARS 2.01-2.06) *1	4220088	
8	Pin (MARS 2.01-2.06) *1	4213606	
9	Lever, small (MARS 2.01-2.06) *1	1359831	
10	Pressure spring d0.4 De2.9 Lo13.6 A2 (MARS 2.01-2.06) *1	4121033	
11	Knurled pin (MARS 2.01-2.06) *1	1462943	
12	Spacer DIN 988-18x25x0.10 A2 (MARS 2.01-2.06) *1	1353151	
13	Spacer DIN 988-18x25x0.20 A2 (MARS 2.01-2.06) *1	1353152	
14	Screw ISO 4762-M6x25-A2-70	0117042	
15	Cassette rail RP Joint	1395388	
16	Drive unit	1390050	
17	Spring supp. Lip seal UAA-B60.0-332-1-C	4144985	
18	Screw ISO 4762-M5x50-A2-70	0143493	
19	Standard rail Back section (MARS 2.01-2.06) *1	1387557	
19a	Standard rail SPV EU *2 (MARS 2.07) *1	1464381	
	Standard rail SPV US complete Pair (MARS 2.08) *1	1454031	
20	Cover foil MARS II	1395374	
21	Sliding disc	4220026	
22	Cylindrical pin ISO 8735-10m6x24-A1	4083208	
23	Screw ISO 4762-M4x12-A2-70	0751667	
24	Screw ISO 4762-M8x16-A2-70	0127599	
25	Screw ISO 10642-M10x20-A2-70	1215427	
26	Screw	1395537	
27	Angular ball bearing 30/6 2Z	1381732	
28	Disc for Laser section	4212428	
29	Threaded pin ISO 4027-M4x12-A2-70	4083030	

*1 all pad variants and 115 Version

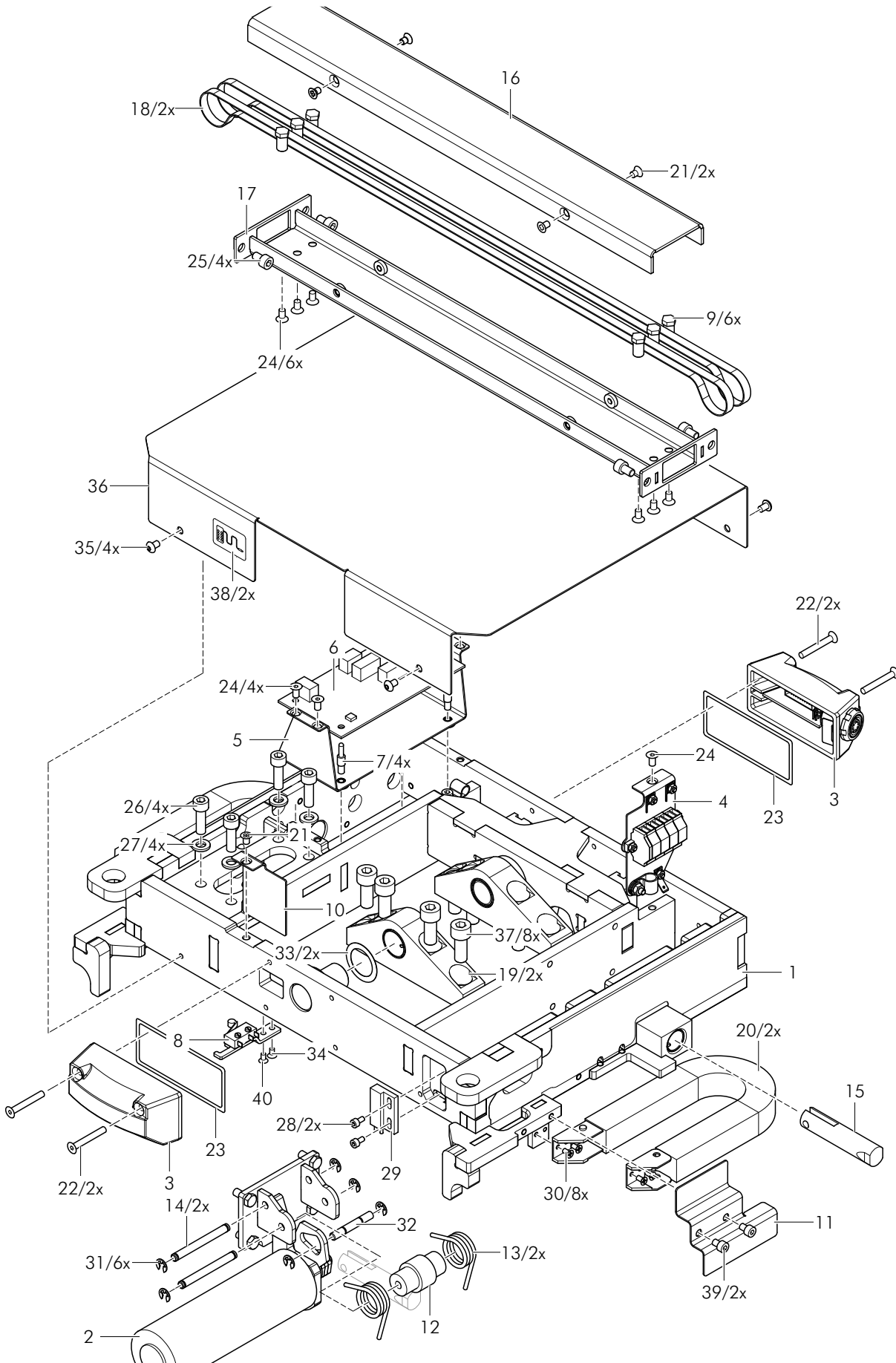
*2 not shown in the graphic





Item	Description	Mat. no.	ET
1	Tabletop, fixed MARS II (welded assembly)	1404237	
2	IR Receiver 1 complete with RS485/232	1363489	
3	Clamp, installed 2.0X	1395372	
4	Support plate LP	1434761	
5	LP Distributor MARS 2.0X	1363366	
6	Spacer F.LP TYPE H109.940	4144738	
7	Clamping plate	1396294	
8	Drive belt, Synchroflex GEN III	1381543	
9	Bearing block TP	1383079	
10	Screw ISO 10642-M4x30-A2-70	4081136	
11	Seal IR	4145677	
12	Screw ISO 10642-M4x8-A2-70	0083765	
13	Screw ISO 7046-M4x6-A2-70	4081026	
14	Spacer 20x28x0.3 CUSN	4145525	
15	Screw ISO 7380-M4x6-A2-70	0142056	
16	Cover for Head	1405959	
17	Sensor OR Holder 2.01	1411680	
18	Screw ISO 4762-M8x20-A2-70	0117016	
19	Cylindrical pin ISO 2338-4m6x30-A1	4083159	
20	Guide pin with Threading	1460656	
21	Screw ISO 4762-M6x20-A2-70	0342750	
22	Washer ISO 7089-6-a2	0142269	
23	Pictogram Remote control	1311656	
24	IR Receiver 1 complete without RS485/232	1363490	

Tabletop



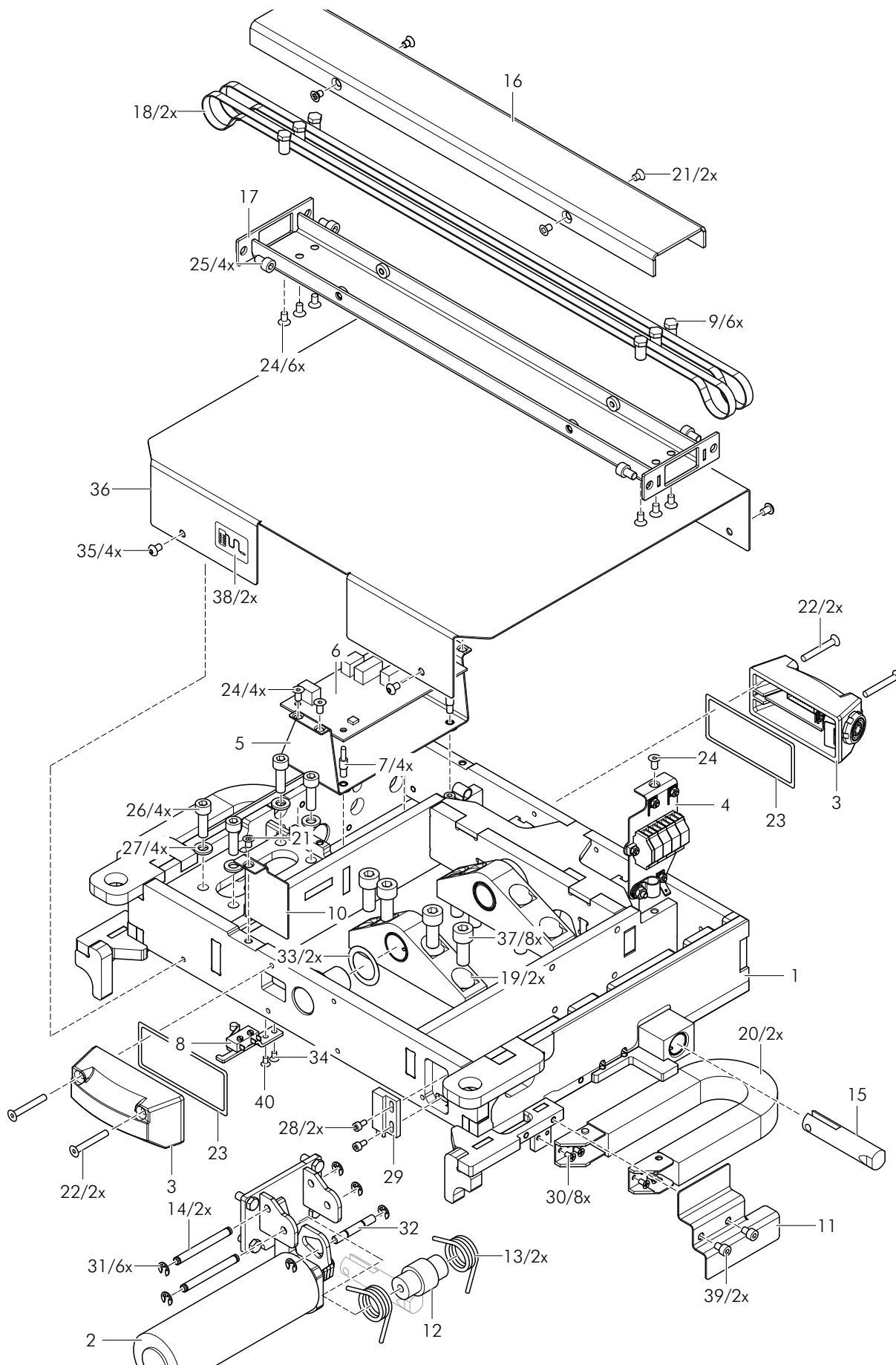


Item	Description	Mat. no.	ET
1	Head (welded assembly) (MARS 2.02-2.06) *1	1391358	
	Head (welded assembly) *2 (MARS 2.07, 2.08) *1	1453320	
2	Locking unit, installed	1390209	
3	IR Receiver 1 complete with RS485/232	1363489	
4	Clamp, installed 2.0X	1395372	
5	Support plate LP	1434761	
6	LP Distributor MARS 2.0X (MARS 2.02-2.06) *1	1363366	
	LP Distributor MARS 2.0X V2 (MARS 2.07, 2.08) *1	1454312	
7	Spacer F.LP TYPE H109.940	4144738	
8	Microbutton LV complete	1377458	
9	Drive belt guide	1395440	
10	Clamping plate	1396294	
11	Cover Plate E-Chain Pair	1400606	
12	Spring guide sleeve	1395377	
13	Leg spring T19241R shortened	1395395	
14	Tension bolt	1395397	
15	Locking bolt	1395438	
16	Drive belt cover	1395441	
17	Bridge (welded assembly)	1390494	
18	Drive belt, Synchroflex GEN III	1381543	
19	Bearing block TP	1383079	
20	Energy chain 13 Element Z08.10028.0	1381881	
21	Screw ISO 7046-M4x6-A2-70	4081026	
22	Screw ISO 10642-M4x30-A2-70	4081136	
23	Seal IR	4145677	
24	Screw ISO 10642-M4x8-A2-70	0083765	
25	Screw ISO 4762-M5x8-A2-70	0347143	
26	Screw ISO 4762-M6x20-A2-70	0342750	
27	Washer ISO 7089-6-a2	0142269	
28	Screw ISO 4762-M3x6-A2-70	0751650	
29	Sensor OR 2.0X	1402362	
30	Screw ISO 7046-M3x6-A2-70 (MARS 2.02-2.06) *1	0755184	
	Screw ISO 1207-M3x6-A2-70 *2 (MARS 2.07, 2.08) *1	0751603	
31	Lock washer DIN 6799-4 A2	4083016	
32	Safety bolt	1395396	
33	Spacer 20x28x0.3 CUSN	4145525	
34	Screw ISO 7046-M3x4-A2-70	0780239	
35	Screw ISO 7380-M4x6-A2-70	0142056	

*1 all pad variants and 115 Version

*2 not shown in the graphic

Tabletop

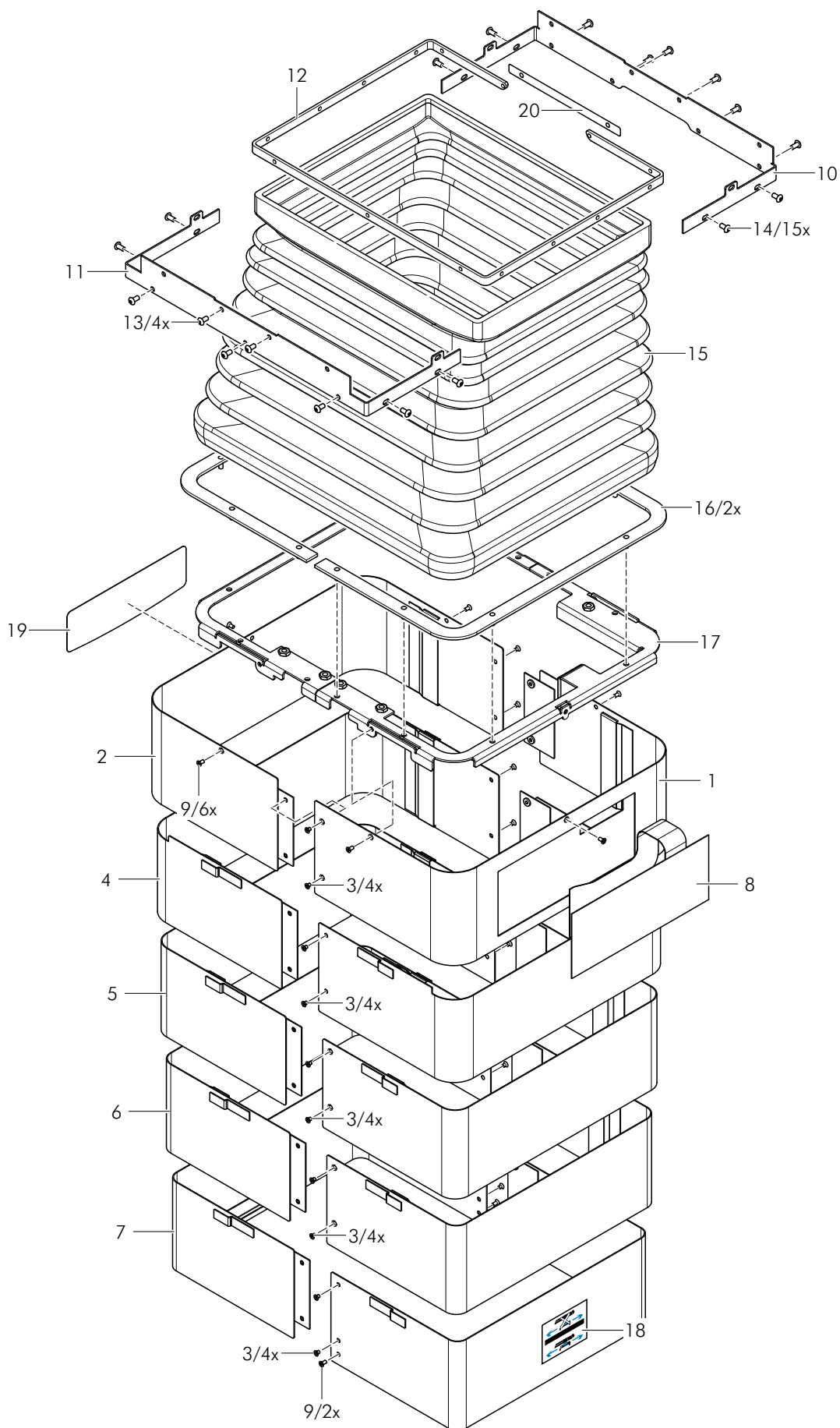




Item	Description	Mat. no.	ET
36	Cover for Head	1396293	
37	Screw ISO 4762-M8x20-A2-70	0117016	
38	Pictogram Remote control	1311656	
39	Screw ISO 4762-M4x6-A2-70	0751664	
40	Screw ISO 7046-M3x6-A2-70	0755184	



4 Column



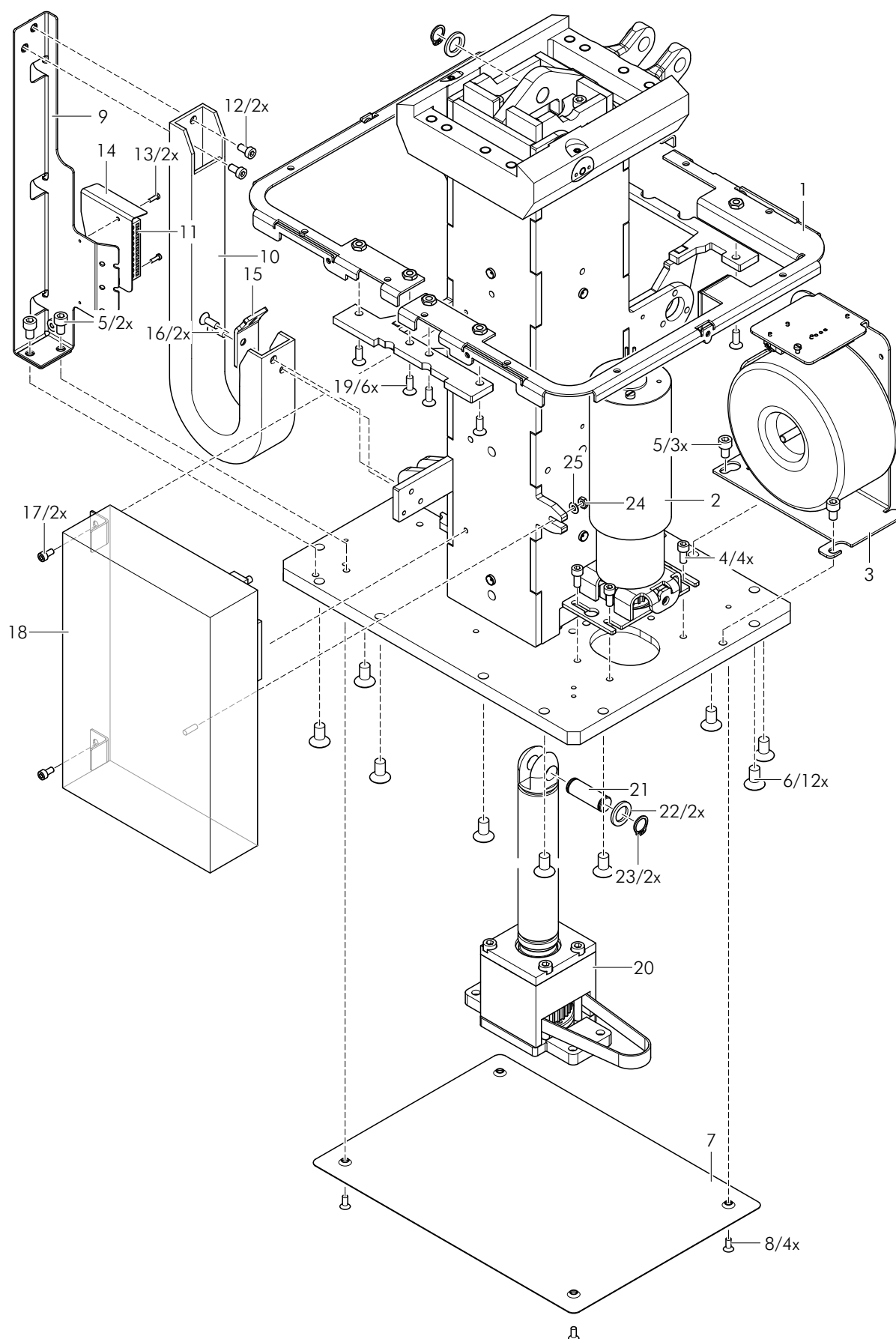


Item	Description	Mat. no.	ET
1	Plate cover HV top right (welded assembly) (MARS 2.01-2.04) * ¹	1398246	
	Plate cover NV top right (welded assembly) * ² (MARS 2.05-2.08)* ¹	1398026	
2	Plate cover HV top left (welded assembly) (MARS 2.01-2.04)* ¹	1398240	
	Plate cover NV top left (welded assembly)* ² (MARS 2.05-2.08)* ¹	1398023	
3	Screw ISO 7046-M3x4-A2-70	0780239	
4	Plate cover HV Center 3 (MARS 2.01-2.04)* ¹	1398177	
	Plate cover NV Center 3* ² (MARS 2.05-2.08)* ¹	1398018	
5	Plate cover HV Center 2 (MARS 2.01-2.04)* ¹	1398213	
	Plate cover NV Center 2* ² (MARS 2.05-2.08)* ¹	1397971	
6	Plate cover HV Center 1 (MARS 2.01-2.04)* ¹	1398216	
	Plate cover NV Center 1* ² (MARS 2.05-2.08)* ¹	1397924	
7	Plate cover HV below (MARS 2.01-2.04)* ¹	1398258	
	Plate cover NV below* ² (MARS 2.05-2.08)* ¹	1398038	
8	Membrane keyboard Column MARS 2.0 EU (MARS 2.01-2.07)* ¹	1368394	
	Membrane keyboard Column MARS 2.0 USA * ² (MARS 2.08)* ¹	1368395	
9	Screw ISO 7046-M3x6-A2-70	0755184	
10	Bellows holder above 1 (MARS 2.02-2.08)* ¹	1418075	
	Bellows holder above 3* ² (MARS 2.01)* ¹	1457715	
11	Bellows holder above 2 (MARS 2.02-2.08)* ¹	1418076	
	Bellows holder above 4* ² (MARS 2.01)* ¹	1457716	
12	Bellows frame above	1418074	
13	Screw ISO 7380-M4x6-A2-70	0142056	
14	Screw ISO 7380-M4x8-A2-70	0755121	
15	Bellows, assembled (MARS 2.01-2.04)* ¹	4216274	
	Bellows NV* ² (MARS 2.05-2.08)* ¹	1380006	
16	Frame for Bellows	4220379	
17	Bellows frame (welded assembly) Pair	1394014	
18	Pictogram Lift lowering (MARS 2.01-2.04, 2.07, 2.08)* ¹	1300517	
19	Pictogram MARS (MARS 2.01)	4133071	
20	Base for Bellows (MARS 2.05-2.08)* ¹	1443683	

*¹ all pad variants and 115 Version

*² in der Grafik nicht dargestellt

Column

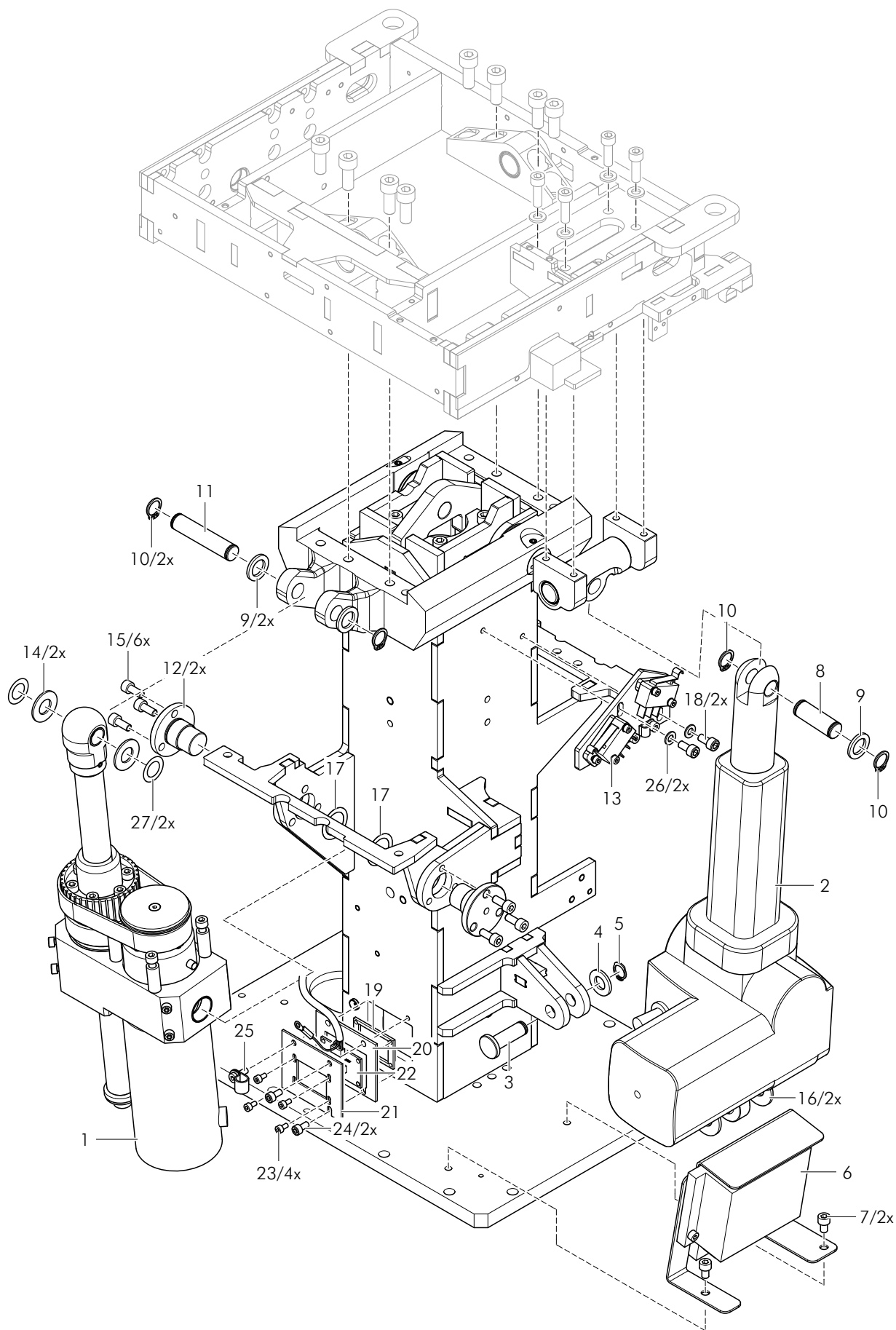




Item	Description	Mat. no.	ET
1	Bellows frame (welded assembly) Pair	1394014	
2	Drive for Lift	1380499	
3	Transformer, complete	1392953	
4	Screw ISO 4762-M5x12-A2-70	0117017	
5	Screw ISO 4762-M6x10-A2-70	0754393	
6	Screw ISO 10642-M8x16-A2-70	0140033	
7	Cover plate	4216289	
8	Screw ISO 10642-M4x10-A2-70	0083292	
9	Holder for Energy chain HV (welded assembly) (MARS 2.01-2.04) *1	1383140	
	Holder for Energy chain (welded assembly) *2 (MARS 2.05-2.08)*1	1383100	
10	Energy chain 14 Elements B15l.025.038.0 (MARS 2.01-2.04)*1	1382404	
	Energy chain 12 Elements B15l.025.038.0 *2 (MARS 2.05-2.08)*1	1381857	
11	Connector 5.0 10 PIN Series 231	1390418	
12	Screw ISO 1207-M2.5x8-A2-70	0341661	
13	Screw DIN 7984-M5x10-A2-70	4081057	
14	Cover for E-Chain	1433823	
15	Cable holder	1383290	
16	Screw ISO 10642-M5x14-A2-70	4081140	
17	Screw ISO 4762-M4x8-a2-70	0751654	
18	Electronics unit MARS 2.0X	1363367	
19	Screw ISO 10642-M5x14-A2-70	4081140	
20	Lifting spindle, complete HV (MARS 2.01-2.04)*1	1390048	
	Lifting spindle, complete NV*2 (MARS 2.05-2.08)*1	1380502	
21	Bolt for KA Lift	1382461	
22	Washer ISO 7092-12-A2	4083089	
23	Locking ring DIN 471-12x1.00 A2	0475485	
24	Nut ISO 4032-M4-A2-70	0751475	
25	Washer ISO 7089-4-A2	0142874	

*1 all pad variants and 115 Version

*2 not shown in the graphic





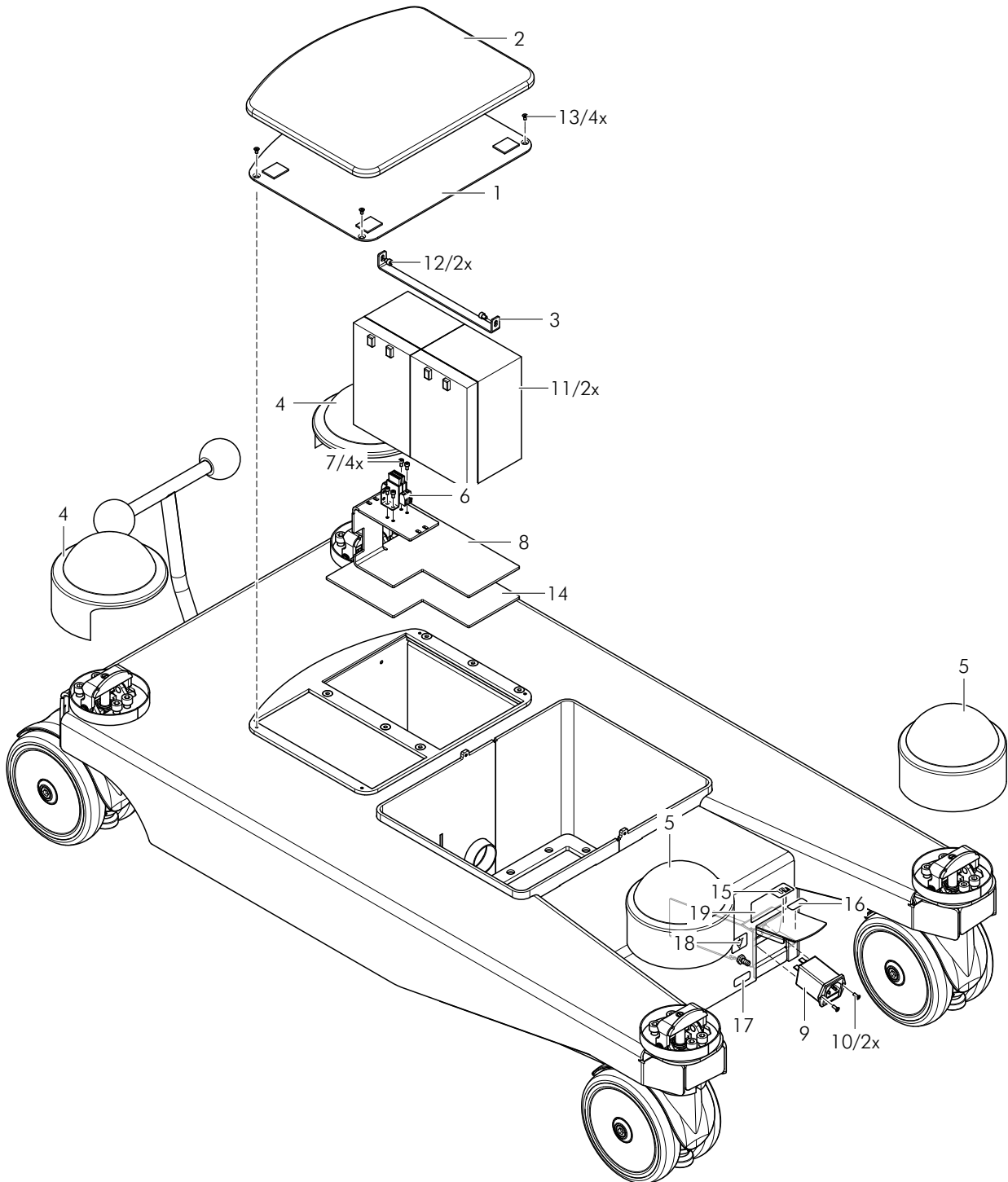
Item	Description	Mat. no.	ET
1	Drive MARS II Trendelenburg	1380500	
2	Tilt, MARS complete	1382538	
3	Bolt for KA Lift 2	1382462	
4	Washer ISO 7089-10-A2	1215503	
5	Locking ring DIN 471-10x1.00 A2	0122789	
6	Transformer switch relay complete (MARS 2.01-2.07) * ¹	1404458	
	Transformer switch relay complete US (MARS 2.08)* ¹	1415949	
7	Screw ISO 4762-M5x8-A2-70	0347143	
8	Bolt for KA Lift	1382461	
9	Washer ISO 7092-12-A2	4083089	
10	Locking ring DIN 471-12x1.00 A2	0475485	
11	Bolt TR	1382499	
12	Bearing pin TR	1382970	
13	Limit switch group	1403696	
14	Friction washer 12x24x1.5 GTM	1228978	
15	Screw ISO 4762-M5x12-A2-70	0117017	
16	Buffer disc 3	1393916	
17	Spacer DIN 988-18x25x0.20 A2	1353152	
18	Screw ISO 4762-M8x20-A2-70	0117016	
19	Threaded plate	1382816	
20	Base (Hall sensor board)	1393715	
21	Sensor plate mounting bracket	1383376	
22	Hall sensor board	1369747	
23	Screw ISO 4762-M3x6-A2-70	0751650	
24	Screw ISO 4762-M4x8-A2-70	0751654	
25	Screw ISO 4762-M4x10-A2-70	0086995	
26	Washer ISO 7089-6-A2	1215500	
27	Washer	4216312	

*¹ all pad variants and 115 Version



5 Running gear

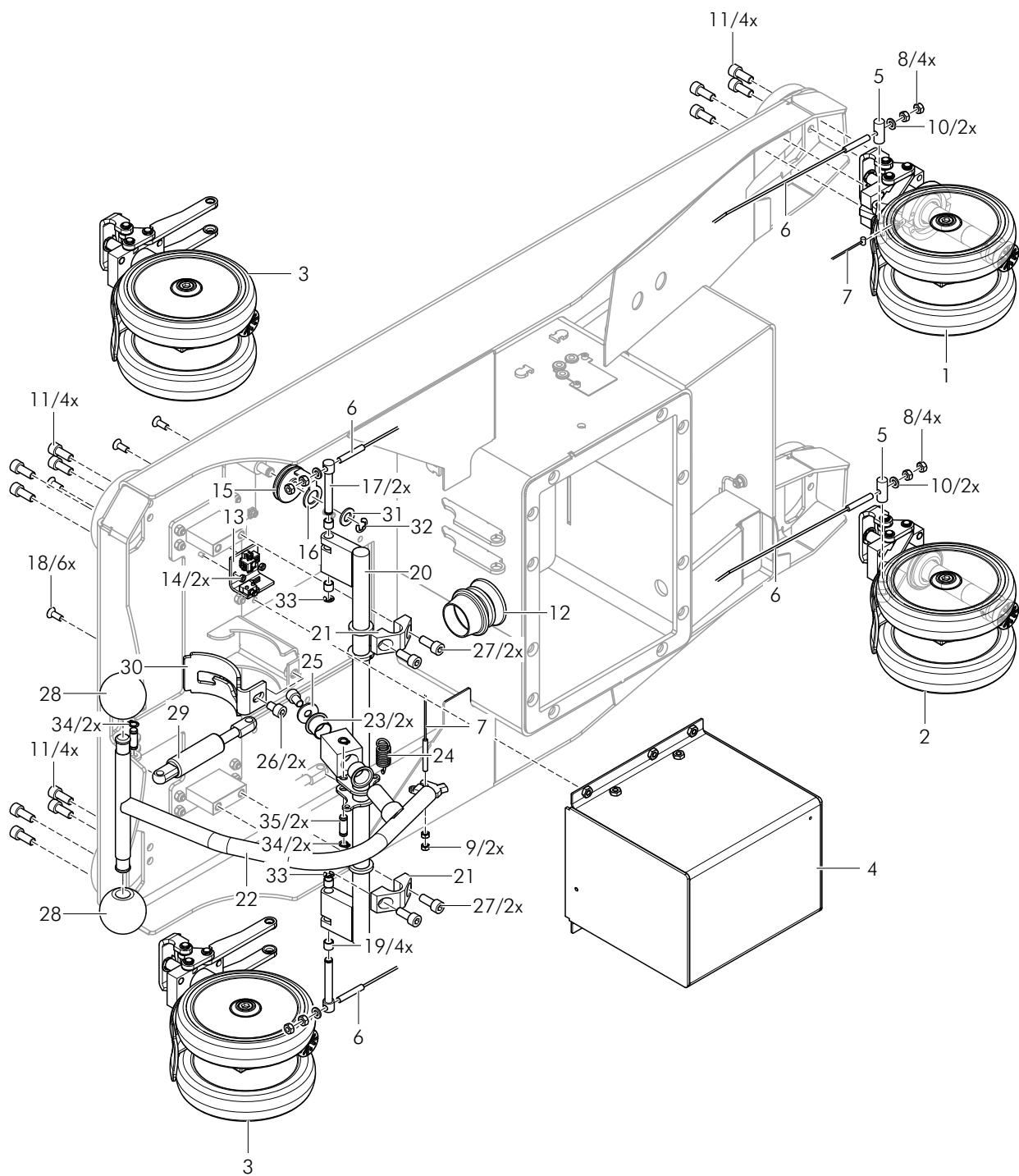
Running gear





Item	Description	Mat. no.	ET
1	Cover plate, Battery compartment	1370895	
2	Cover, Battery compartment	1370898	
3	Bracket, Battery mounting	1370878	
4	Cover cap, back	4145644	
5	Cover cap, front	4145645	
6	Car Fuse holder 2-way	1388011	
7	Screw ISO 4762-M3x6-A2-70	0751650	
8	Plate, Fuse holder	1435646	
9	Plug filter FN 9260B-4/06	4102151	
10	Screw ISO 7047-M3x8-A2-70	4081076	
11	Gel Battery 12 V/10.0 Ah	4144324	
12	Screw ISO 4762-M4x5-A2-70	0783960	
13	Screw ISO 7046-M3x6-A2-70	0755184	
14	Plate, Battery holder	1435643	
15	Pictogram f. Bushing - Load section	4133038	
16	Label Line power fuse 2x2.5 AT (EU) MARS	4145554	
17	Label IR Code	-	
18	Label Equipotential bonding	1216352	
19	Pictogram AP-GA	1409092	

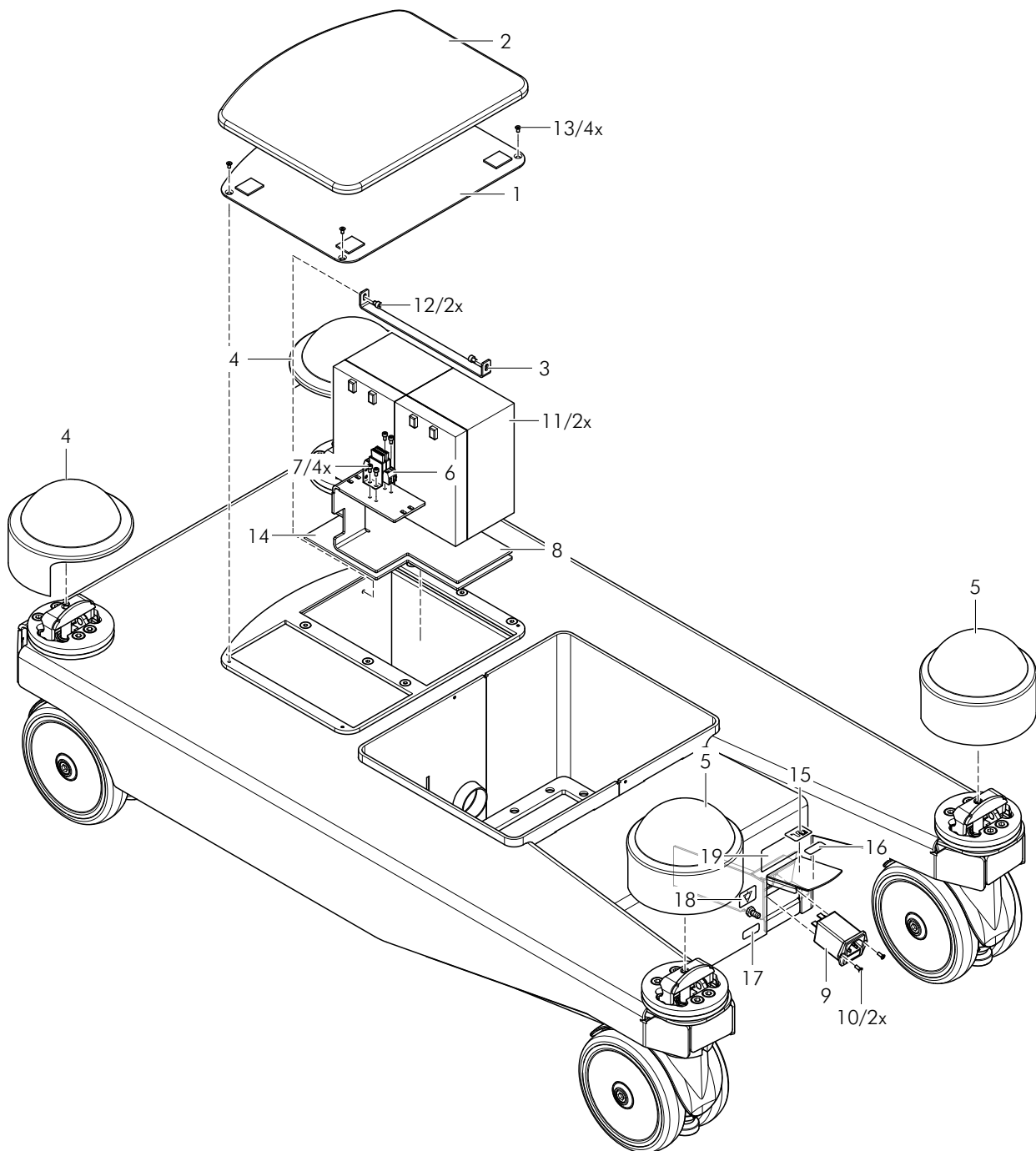
Running gear





Item	Description	Mat. no.	ET
1	Wheel with Direction determination	1234228	
2	Wheel front SLT	1234227	
3	Wheel rear JUC	1245205	
4	Battery box MARS II (welded assembly)	1370846	
5	Axle	4211331	
6	Control cable Running gear SATURN NG	4101052	
7	Control cable 3 FW JUC	1225152	
8	Nut ISO 4032-M6-A2-70	0751477	
9	Nut ISO 4032-M5-A2-70	0758600	
10	Washer ISO 7089-6-A2	0142269	
11	Screw ISO 4762-M8x20-A2-70	0117016	
12	Bellows	1379523	
13	Jack up switch	1391481	
14	Nut ISO 4032-M4-A2-70	0751475	
15	Roll	4211346	
16	Cable holder	4211354	
17	Shaft	4211326	
18	Screw ISO 10642-M6x16-A2-70	0117014	
19	Floating bearing 8x10x8 DUB Bushing	4144426	
20	Shaft (welded assembly)	1391404	
21	Shaft holder	4211303	
22	Foot pedal (welded assembly)	1391837	
23	Floating bearing 18x20x16 DUB Flange	4144430	
24	Tension spring d2.2 De15.0 Lo41.2 A2 270°	4121115	
25	Washer ISO 7093-8-A2	1215509	
26	Screw ISO 4762-M8x12-A2-70	0753591	
27	Screw ISO 4762-M8x20-A2-70	0117016	
28	Rubber sphere Ø50	4144165	
29	Gas pressure spring A1A1-92-030-138--001/000N	4144918	
30	Position lock	1391600	
31	Washer ISO 7089-10-A2	1215503	
32	Lock washer DIN 6799-8 ST	4083174	
33	Lock washer DIN 6799-5 ST	4083120	
34	Locking ring DIN 471-8x0.80 X35CrMo17	1215539	
35	Bolt-MC	4215637	

Running gear





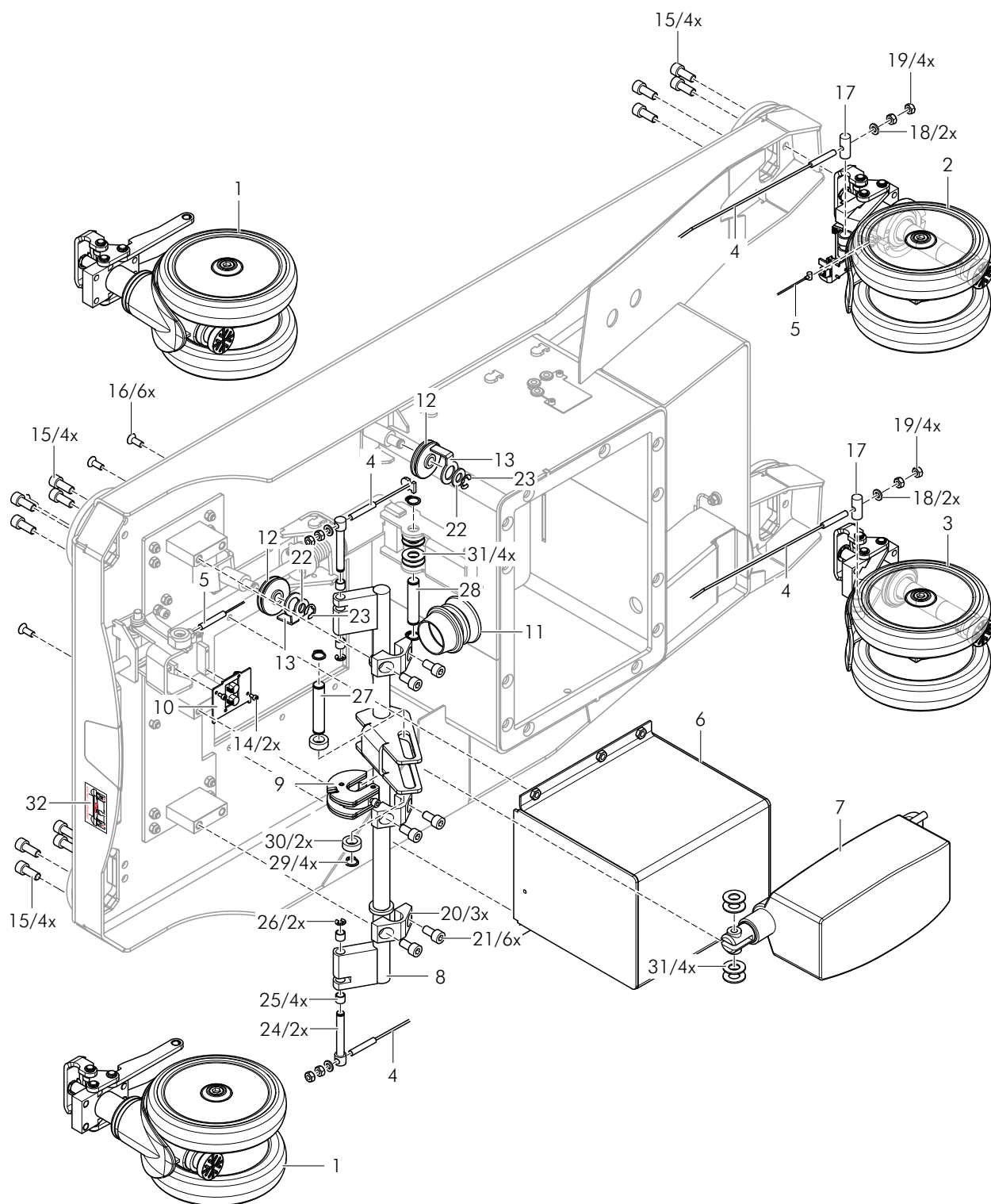
Item	Description	Mat. no.	ET
1	Cover plate, Battery compartment	1370895	
2	Cover, Battery compartment	1370898	
3	Bracket, Battery mounting	1370878	
4	Cover cap, back	4145644	
5	Cover cap, front	4145645	
6	Car Fuse holder 2-way	1388011	
7	Screw ISO 4762-M3x6-A2-70	0751650	
8	Plate, Fuse holder	1435646	
9	Plug filter FN 9260B-4/06	4102151	
10	Screw ISO 7047-M3x8-A2-70	4081076	
11	Gel Battery 12 V/10.0 Ah	4144324	
12	Screw ISO 4762-M4x5-A2-70	0783960	
13	Screw ISO 7046-M3x6-A2-70	0755184	
14	Plate, Battery holder	1435643	
15	Pictogram f. Bushing - Load section	4133038	
16	Label Line power fuse 2x2.5 AT (EU) MARS *1	4145554	
	Label Line power fuse 2x4 AT (USA) MARS *2	4145555	
17	Label IR Code	-	
18	Label Equipotential bonding	1216352	
19	Pictogram AP-GA (MARS 2.03, 2.07, 2.08) *3	1409092	
	AP label (MARS 2.05)*3	4144203	

*1 230 V version MARS 2.01-2.07 only

*2 115 V version MARS 2.01-2.08 only

*3 all pad variants and 115 Version

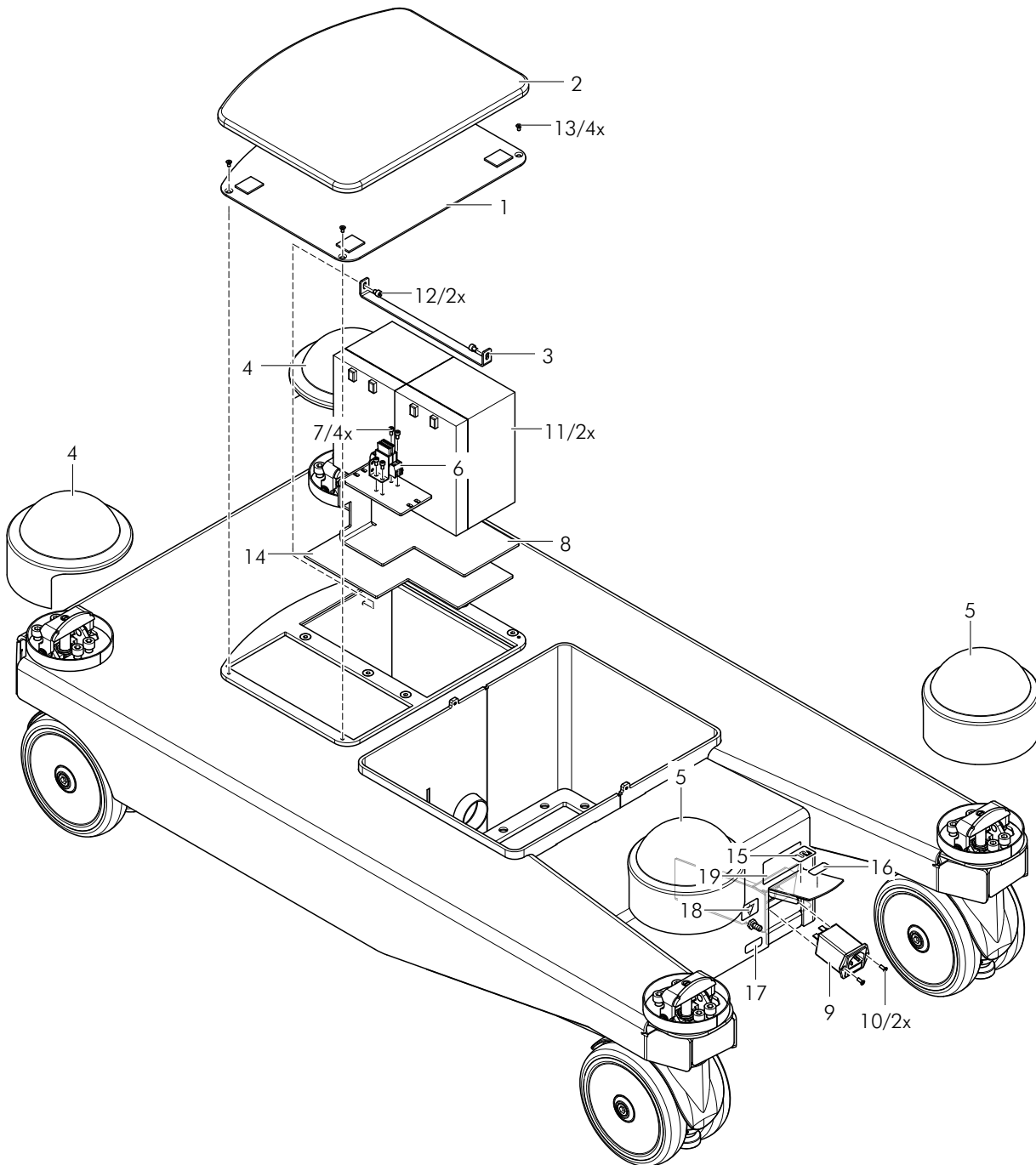
Running gear





Item	Description	Mat. no.	ET
1	Wheel rear SLT	1225641	
2	Wheel with Direction determination	1395094	
3	Wheel front SLT	1234227	
4	Control cable Running gear SATURN NG	4101052	
5	Control cable Directional travel	1391845	
6	Battery box MARS II (welded assembly)	1370846	
7	Jack drive MARS II LA32	1423931	
8	Shaft (welded assembly)	1370035	
9	Cam disc, complete	1396129	
10	Printed circuit board, complete	1369745	
11	Bellows	1379523	
12	Roll	4211346	
13	Cable holder	4211354	
14	Screw ISO 4762-M3x6-A2-70	0751650	
15	Screw ISO 4762-M8x20-A2-70	0117016	
16	Screw ISO 10642-M6X16-A2-70	0117014	
17	Axle	4211331	
18	Washer ISO 7089-6-A2	0142269	
19	Nut ISO 4032-M6-A2-70	0751477	
20	Shaft holder	4211303	
21	Screw ISO 4762-M8x16-A2-70	0127599	
22	Washer ISO 7089-10-A2	1215503	
23	Lock washer DIN 6799-8 ST	4083174	
24	Shaft	4211326	
25	Floating bearing 8x10x8 DUB Bushing	4144426	
26	Lock washer DIN 6799-5 ST	4083120	
27	Joint axis, front	1239598	
28	Joint axis, rear	1239596	
29	Locking ring DIN 471-12x1.00 A2	0475485	
30	Roll	1239655	
31	Friction washer 12x24x1.5 GTM	1228978	
32	Pictogram, Emergency Unlock	1461902	

Running gear





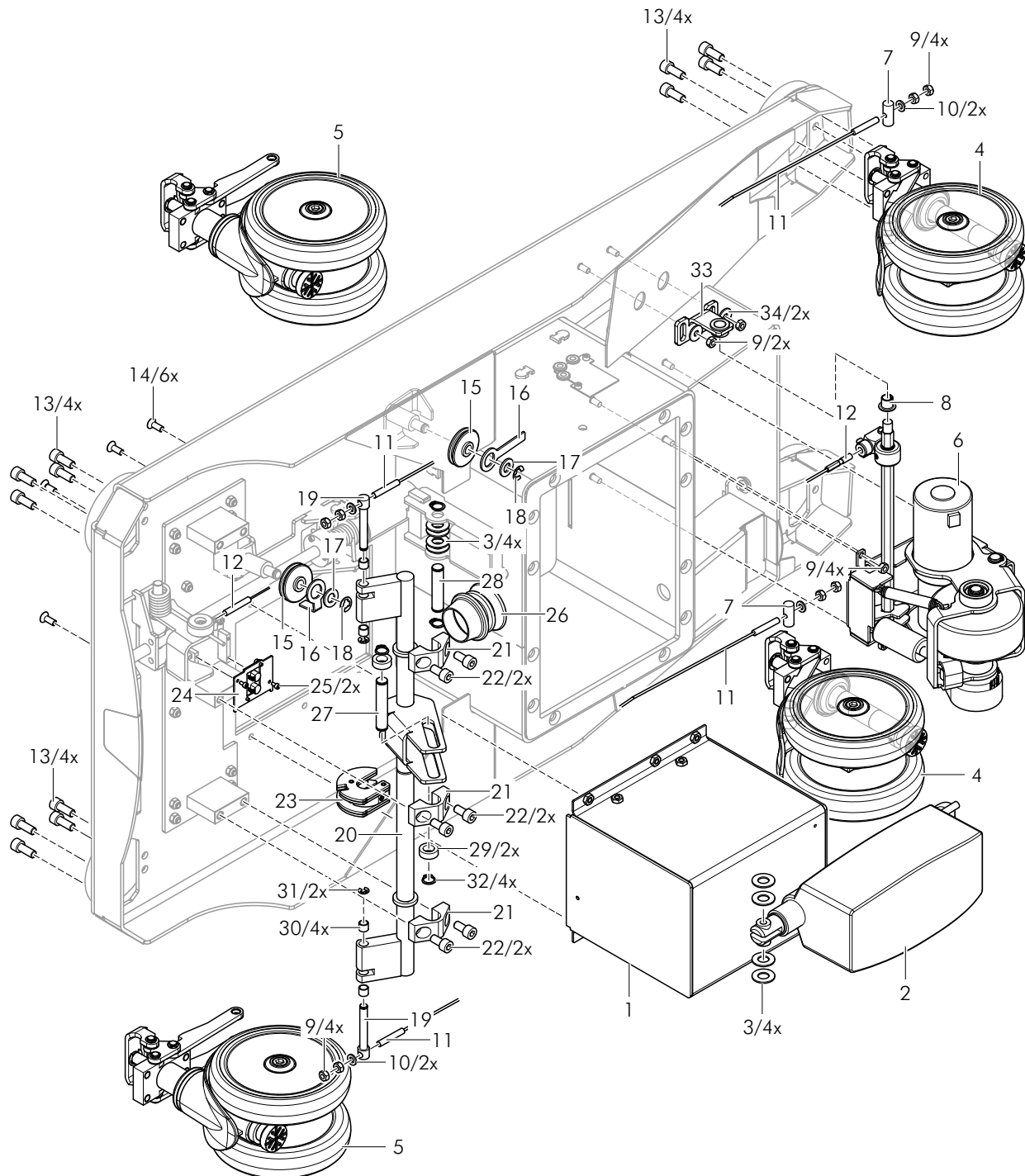
Item	Description	Mat. no.	ET
1	Cover plate, Battery compartment	1370895	
2	Cover, Battery compartment	1370898	
3	Bracket, Battery mounting	1370878	
4	Cover cap, back	4145644	
5	Cover cap, front	4145645	
6	Car Fuse holder 2-way	1388011	
7	Screw ISO 4762-M3x6-A2-70	0751650	
8	Plate, Fuse holder	1435646	
9	Plug filter FN 9260B-4/06	4102151	
10	Screw ISO 7047-M3x8-A2-70	4081076	
11	Gel Battery 12 V/10.0 Ah	4144324	
12	Screw ISO 4762-M4x5-A2-70	0783960	
13	Screw ISO 7046-M3x6-A2-70	0755184	
14	Plate, Battery holder	1435643	
15	Pictogram f. Bushing - Load section	4133038	
16	Label Line power fuse 2x2.5 AT (EU) MARS *1	4145554	
	Label Line power fuse 2x4 AT (USA) MARS *2	4145555	
17	Label IR Code	-	
18	Label Equipotential bonding	1216352	
19	Pictogram AP-GA (MARS 2.04) *3	1409092	
	AP label (MARS 2.06)*3	4144203	

*1 230 V version MARS 2.01-2.07 only

*2 115 V version MARS 2.01-2.08 only

*3 all pad variants and 115 Version

Running gear

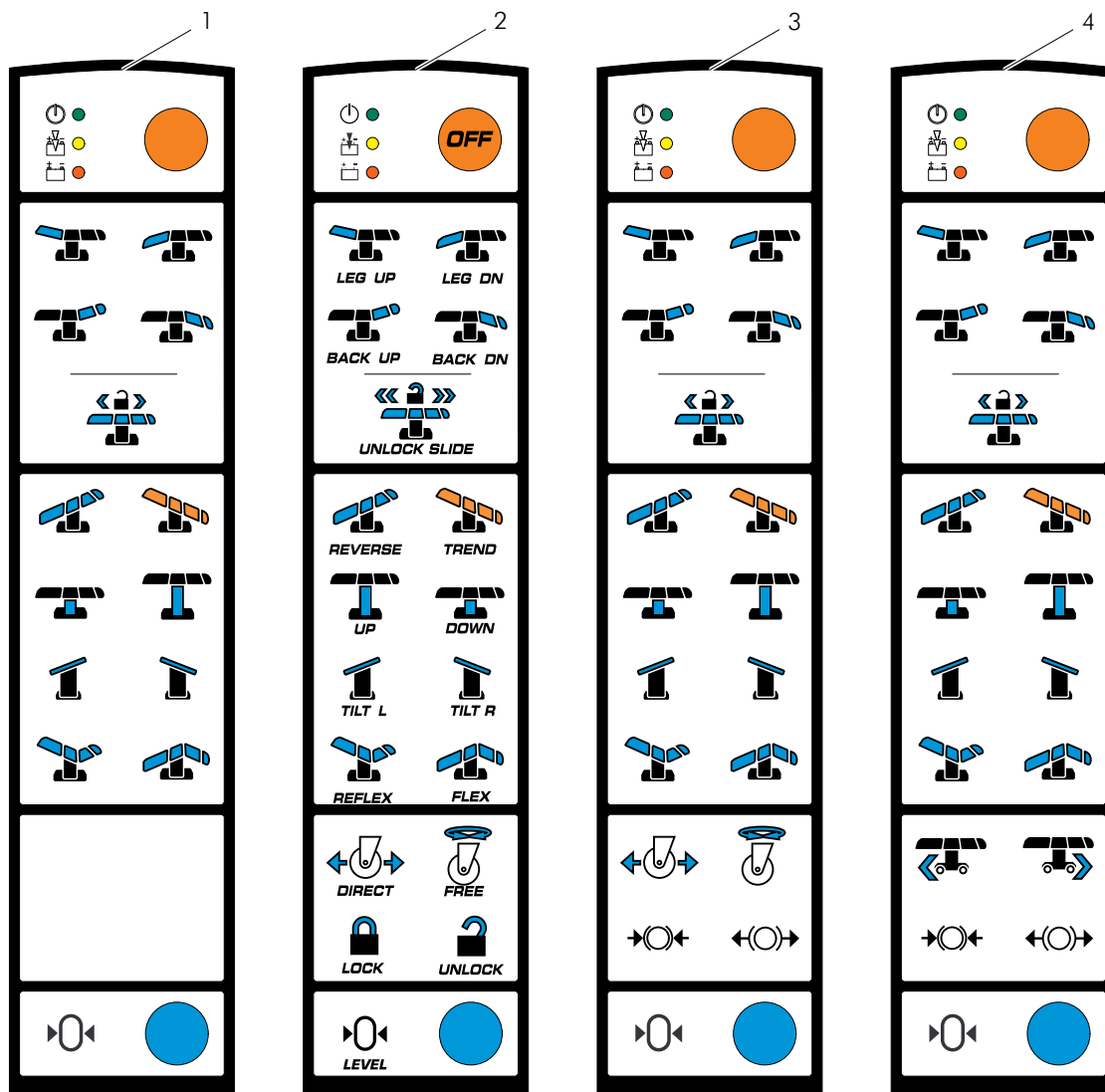




Item	Description	Mat. no.	ET
1	Battery box MARS II (welded assembly)	1370846	
2	Jack drive MARS II LA32	1423931	
3	Friction washer 12x24x1.5 GTM	1228978	
4	Wheel front SLT	1234227	
5	Wheel rear SLT	1225641	
6	Drive	1371018	
7	Axle	4211331	
8	Floating bearing 10x12x12 DUB Flange	4144441	
9	Nut ISO 4032-M6-A2-70	0751477	
10	Washer ISO 7089-6-A2	0142269	
11	Control cable Running gear SATURN NG	4101052	
12	Control cable Drive	1391903	
13	Screw ISO 4762-M8x20-A2-70	0117016	
14	Screw ISO 10642-M6x16-A2-70	0117014	
15	Roll	4211346	
16	Cable holder	4211354	
17	Washer ISO 7089-10-A2	1215503	
18	Lock washer DIN 6799-8 ST	4083174	
19	Shaft	4211326	
20	Shaft (welded assembly)	1370035	
21	Shaft holder	4211303	
22	Screw ISO 4762-M8x16-A2-70	0127599	
23	Cam disc, complete	1396129	
24	Printed circuit board, complete	1369745	
25	Screw ISO 4762-M3x6-A2-70	0751650	
26	Bellows	1379523	
27	Joint axis, front	1239598	
28	Joint axis, rear	1239596	
29	Roll	1239655	
30	Floating bearing 8x10x8 DUB Bushing	4144426	
31	Lock washer DIN 6799-5 ST	4083120	
32	Locking ring DIN 471-12x1.00 A2	0475485	
33	Bearing bracket (welded assembly)	1372365	
34	Washer ISO 7093-6-A2	0353272	



6 Remote control





Item	Description	Mat. no.	ET
1	MARS 2 BM wired remote control (for MARS 2.01/2.02) * ¹	1416569	
	MARS 2 BM IR remote control (for MARS 2.01/2.02) * ¹	1416572	
2	MARS 2 BE U wired remote control (for MARS 2.08) * ¹	1416568	
	MARS 2 BE U IR remote control (for MARS 2.08) * ¹	1416571	
3	MARS 2 BE wired remote control (for MARS 2.03/2.05/2.07) * ¹	1411554	
	MARS 2 BE IR remote control (for MARS 2.03/2.05/2.07) * ¹	1411553	
4	MARS 2 FA wired remote control (for MARS 2.04/2.06) * ¹	1409407	
	MARS 2 FA IR remote control (for MARS 2.04/2.06) * ¹	1409406	

*¹ all variants

TRUMPF



TRUMPF Medizin Systeme GmbH
Postfach 24 44
07310 Saalfeld, Germany
Telephone: +49 3671 586-0
Fax: +49 3671 586-166

E-mail: info@de.trumpf-med.com
www.trumpf-med.com